



# T&S BRASS AND BRONZE WORKS, INC.

2 Saddleback Cove / P.O. Box 1088  
Travelers Rest, SC 29690

Model No.

**B-0200-LN**

Item No.

Travelers Rest, SC: 800-476-4103 • Simi Valley, CA: 800-423-0150 • Fax: 864-834-3518 • www.tsbrass.com



**ADA Compliant**

This Space for Architect/Engineer Approval

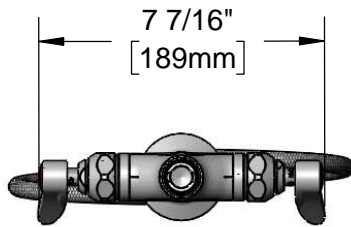
Job Name \_\_\_\_\_ Date \_\_\_\_\_

Model Specified \_\_\_\_\_ Quantity \_\_\_\_\_

Customer/Wholesaler \_\_\_\_\_

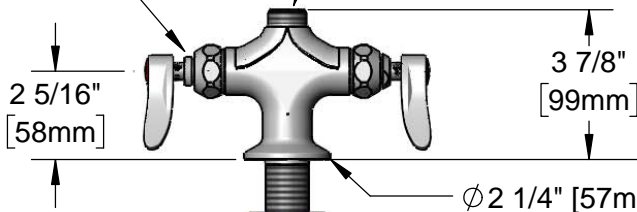
Contractor \_\_\_\_\_

Architect/Engineer \_\_\_\_\_



Quarter-Turn Eterna Cartridges w/ Spring Checks & Lever Handles w/ Color Coded Indexes

Swivel Outlet Accepts Standard T&S Swing Nozzles Conversion to Rigid Requires 014200-45 Lock Washer (Included)



Mounting Surface

Ø 2 1/4" [57mm] Flange w/  
Ø 1 1/8" [29mm] Shank

1 3/8" [35mm]  
Maximum Thickness

18" Flexible Stainless Steel Supply Hoses

Compression Fittings for 5/8" O.D. Copper Tubing (Remove Compression Nut for 1/2" NPSM Male)

Rough-In Requirement:  
Ø 1 1/2" [38mm] Mounting Hole

**Product Specifications:**

Single Hole Deck Mount Mixing Faucet, Quarter-Turn Eterna Cartridges w/ Spring Checks, Lever Handles, 18" Swing Nozzle & 18" Flexible Stainless Steel Supply Hoses w/ 1/2" NPSM Male Inlets

**Product Compliance:**

ASME A112.18.1 / CSA B125.1  
NSF 61 - Section 9  
NSF 372 (Low Lead Content)  
ANSI A117.1 (ADA)



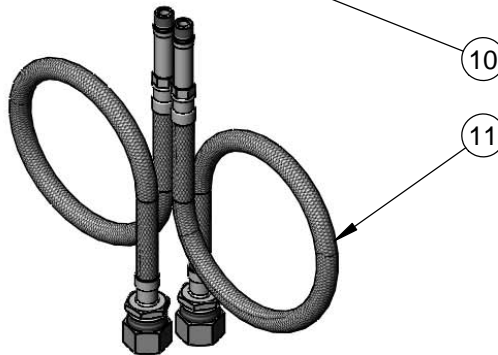
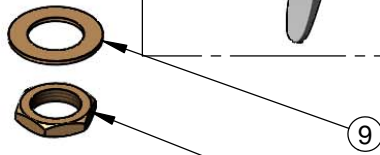
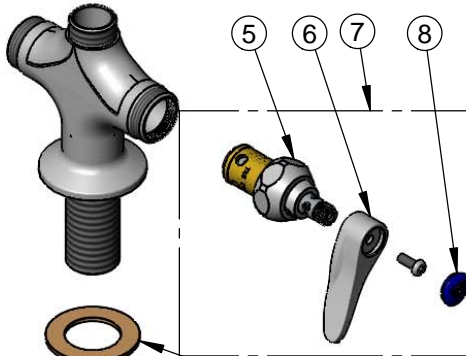
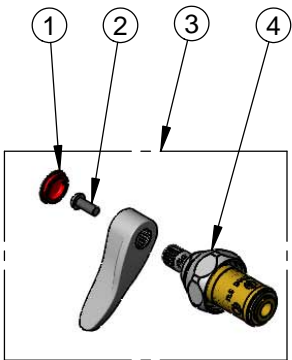
**T&S BRASS AND BRONZE WORKS, INC.**  
 2 Saddleback Cove / P.O. Box 1088  
 Travelers Rest, SC 29690

Model No.  
**B-0200-LN**

Item No.

Travelers Rest, SC: 800-476-4103 • Simi Valley, CA: 800-423-0150 • Fax: 864-834-3518 • www.tsbrass.com

ITEM NO.	SALES NO.	DESCRIPTION
1	001193-19NS	Red Button Index, Press-in
2	000925-45	Lab Handle Screw
3	002712-40NS	Quarter-Turn Eterna Cartridge w/ Spring Check, Handle, Red Index & Screw, RTC
4	012443-40NS	Quarter-Turn Eterna Cartridge w/ Spring Check, RTC
5	012442-40NS	Quarter-Turn Eterna Cartridge w/ Spring Check, LTC
6	001638-45NS	Lever Handle (New Style)
7	002711-40NS	Quarter-Turn Eterna Cartridge w/ Spring Check, Handle, Blue Index & Screw, LTC
8	018506-19NS	Blue Button Index, Press-in
9	002290-45	Lock Washer
10	000965-45	Lock Nut
11	012534-45	18" Flexible Supply Hose (2)



Product Specifications:  
 Single Hole Deck Mount Mixing Faucet, Quarter-Turn Eterna Cartridges w/ Spring Checks, Lever Handles, 18" Swing Nozzle & 18" Flexible Stainless Steel Supply Hoses w/ 1/2" NPSM Male Inlets

Product Compliance:  
 ASME A112.18.1 / CSA B125.1  
 NSF 61 - Section 9  
 NSF 372 (Low Lead Content)  
 ANSI A117.1 (ADA)